



Rediscover normal

Enabling patients to return to their perceived normal lifestyle is the driving need for total knee design. To achieve patient satisfaction and help them rediscover their normal, Smith & Nephew introduced the JOURNEY II knee. It is the only prosthesis designed and demonstrated to replicate normal knee positions, shapes, and motions.³

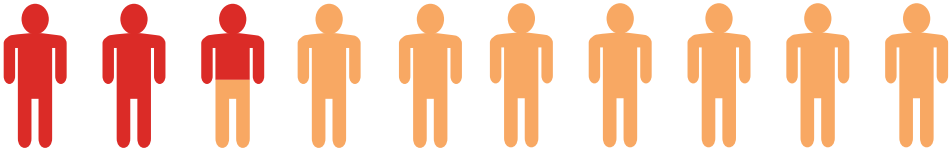
 **smith&nephew**
JOURNEY[®] II TKA
Total Knee Arthroplasty

Supporting healthcare professionals

Since total knee arthroplasty began, surgeons and manufacturers have aspired to reproduce a patient's normal knee anatomy through design evolutions. The dream of restoring patients back to their normal activities, succumbed to simply aspiring to get patients moving again without pain.

**Discover
outcomes beyond
survivorship.
Patients want
their normal.**



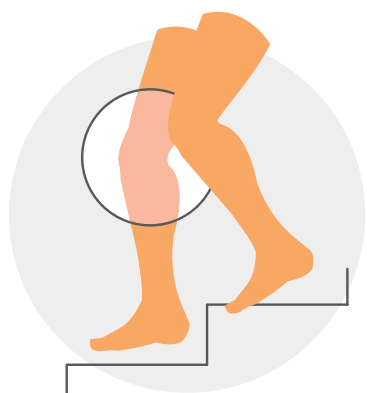
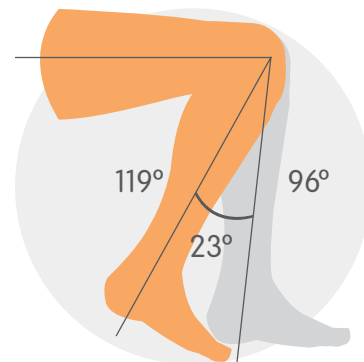
25% 

of total knee replacement patients report unmet levels of satisfaction^{1,2}

Rediscover normal

Smother recovery

JOURNEY[®] II TKA has been demonstrated to significantly improve flexion by **enabling 23° range of motion improvement earlier in the recovery period.**³



Improved function

The normal knee designs of JOURNEY II TKA have shown to deliver improvements in both knee function and motion with **increased medial/lateral (M/L) stability mid-flexion.**⁴⁻⁶

Higher patient satisfaction

Quicker recovery, improved function and normal kinematic patterns of motion lead to **high levels of patient satisfaction.**³⁻⁵





For detailed product information, including indications for use, contraindications, precautions and warnings, please consult the product's applicable Instructions for Use (IFU) prior to use.

Smith & Nephew, Inc.

www.smith-nephew.com

1450 Brooks Road
Memphis, TN 38116
USA

®Trademark of Smith & Nephew.
©2017 Smith & Nephew.
03557 V3 02/18

Supporting healthcare professionals for over 150 years

References

1. Phil Noble et al; Does total knee replacement restore normal knee function? 2005; CORR. (431): 157-65. 2. Scott CE, Howie CR, MacDonald D, Biant LC; Predicting dissatisfaction following total knee replacement: a prospective study of 1217 patients. J Bone Joint Surg Br. 2010 Sep;92(9) 3. Short-term Range of Motion is Increased after TKA with an asymmetric bicruciate stabilized implant. Accepted Poster Presentation, AAOS 2018 New Orleans. Kaitlin M. Carroll, Peter K. Sculco, Brian C Michaels, Richard L. Murphy, Seth A. Jerabek, David J. Mayman 4. J Orthop. 2017 Jan 7;4(1):201-206. doi: 10.1016/j.jor.2016.12.005. eCollection 2017. Bi-cruciate substituting total knee arthroplasty improved medio-lateral instability in mid-flexion range 5. In Vivo Kinematic Comparison of a Bicruciate Stabilized Total Knee Arthroplasty and the Normal Knee Using Fluoroscopy Trevor F. Grieco, MS a, *, Adrija Sharma, PhD a, Garrett M. Dessinger, BS a, Harold E. Cates, MD b, Richard D. Komistek, PhD. The Journal of Arthroplasty, September 2017 <https://doi.org/10.1016/j.arth.2017.09.035> 6. A comparison of Rollback Ratio between Bicruciate Substituting Total Knee Arthroplasty and Oxford Unicompartmental Knee Arthroplasty. DOI: 10.1055/s-0037-1604445. ISSN 1538-8506. The Journal of Knee Surgery. Takanori Iriuchishima, Keinosuke Ryu