



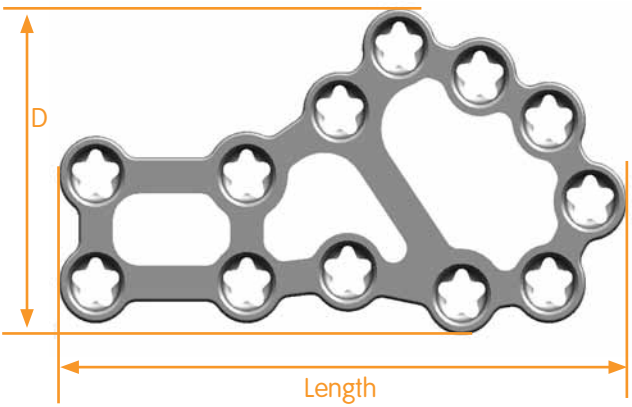
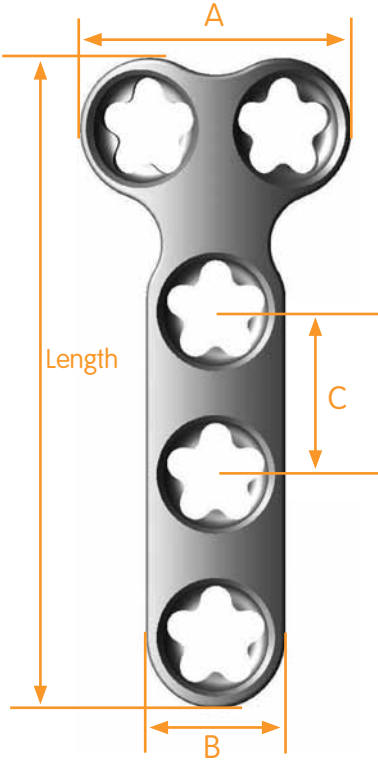
VLP[®] FOOT

Variable-Angle
Locked Plating System

Specification Summary



Plate dimensions



Legend

- A Width of head
- B Width of shaft
- C Shaft hole spacing
- D Width
- E Profile thickness

2.7mm Plates

2.7mm T-Plate

A	Width of head	13.7mm
B	Width of shaft	7.0mm
C	Shaft hole spacing	8.0mm
E	Profile thickness	1.5mm



Cat. No.	Description	Length
7282-4001S	2.7mm T-Plate	32.0mm

2.7mm L-Plate

A	Width of head	13.5mm
B	Width of shaft	7.3mm
C	Shaft hole spacing	8.0mm
E	Profile thickness	1.5mm



Cat. No.	Description	Length
7282-4002S	2.7mm L-Plate, Left	32.5mm
7282-4003S	2.7mm L-Plate, Right	32.5mm

2.7mm Quarter Tubular Plate

C	Shaft hole spacing	8.0mm
D	Width	8.0mm
E	Profile thickness	1.5mm



Cat. No.	Description	Length
7282-4006S	2.7mm Quarter Tubular Plate, 3 Hole	23.8mm
7282-4007S	2.7mm Quarter Tubular Plate, 4 Hole	31.8mm
7282-4008S	2.7mm Quarter Tubular Plate, 5 Hole	39.8mm
7282-4009S	2.7mm Quarter Tubular Plate, 6 Hole	47.8mm
7282-4010S	2.7mm Quarter Tubular Plate, 7 Hole	55.8mm
7282-4011S	2.7mm Quarter Tubular Plate, 8 Hole	63.8mm

2.7mm Quarter Tubular Compression Plate

D	Width	8.0mm
E	Profile thickness	1.5mm



Cat. No.	Description	Length
7282-4012S	2.7mm Quarter Tubular Compression Plate, 3 Hole	23.8mm
7282-4013S	2.7mm Quarter Tubular Compression Plate, 5 Hole	39.8mm
7282-4014S	2.7mm Quarter Tubular Compression Plate, 7 Hole	55.8mm

2.7mm Barbell Plate

D	Width	71mm
E	Profile thickness	1.5mm



Cat. No.	Description	Length
7282-4021S	2.7mm Barbell Plate	18.1mm

2.7mm Plates

2.7mm Utility Plate

E	Profile thickness	1.5mm
---	-------------------	-------



Cat. No.	Description	Length	Width
7282-4022S	2.7mm Utility Plate, Small	24.0mm	18.0mm
7282-4023S	2.7mm Utility Plate, Medium	30.0mm	20.0mm
7282-4024S	2.7mm Utility Plate, Large	36.0mm	20.0mm

2.7mm MTP Plate

A	Width of head	14.0mm
B	Width of shaft	11.0mm
E	Profile thickness	1.27mm



Cat. No.	Description	Length
7282-4015S	2.7mm MTP Plate Primary Left	53.1mm
7282-4016S	2.7mm MTP Plate Primary Right	53.1mm
7282-4017S	2.7mm MTP Plate Revision Left	69.9mm
7282-4018S	2.7mm MTP Plate Revision Right	69.9mm

2.7mm TMT Fusion Plate

A	Width of head	16.7mm
B	Width of shaft	8.9mm
C	Shaft hole spacing	9.2mm
E	Profile thickness	1.5mm



Cat. No.	Description	Length
7282-4019S	2.7mm TMT Fusion Plate, Short	45.6mm
7282-4020S	2.7mm TMT Fusion Plate, Long	58.4mm

2.7mm Percutaneous Calcaneus Plate

E	Profile thickness	1.27mm
---	-------------------	--------



Cat. No.	Description	Length	Width
7282-1018S	2.7mm Percutaneous Calcaneus Plate Small, Left	55.1mm	27.9mm
7282-1019S	2.7mm Percutaneous Calcaneus Plate Small, Right	55.1mm	27.9mm
7282-1036S	2.7mm Percutaneous Calcaneus Plate Medium, Left	57.7mm	33.5mm
7282-1037S	2.7mm Percutaneous Calcaneus Plate Medium, Right	57.7mm	33.5mm
7282-1020S	2.7mm Percutaneous Calcaneus Plate Large, Left	62.0mm	33.5mm
7282-1021S	2.7mm Percutaneous Calcaneus Plate Large, Right	62.0mm	33.5mm
7282-1048S	2.7mm Percutaneous Calcaneus Plate Extra-Large, Left	68.0mm	33.5mm
7282-1049S	2.7mm Percutaneous Calcaneus Plate Extra-Large, Right	68.0mm	33.5mm

2.7mm H-Plate

D	Width	24.2mm
E	Profile thickness	1.5mm



Cat. No.	Description	Length
7282-4004S	2.7mm H-Plate, 5 Hole	26.6mm
7282-4005S	2.7mm H-Plate, 8 Hole	43.7mm

3.5mm Plates

3.5mm One-Third Tubular Plate

C	Shaft hole spacing	12.0mm
D	Width	9.5mm
E	Profile thickness	1.5mm



Cat. No.	Description	Length
7282-3003S	3.5mm One-Third Tubular Plate, 3 Hole	37.7mm
7282-3004S	3.5mm One-Third Tubular Plate, 4 Hole	49.7mm
7280-3005	3.5mm One-Third Tubular Plate, 5 Hole	61.7mm
7280-3006	3.5mm One-Third Tubular Plate, 6 Hole	73.7mm
7280-3007	3.5mm One-Third Tubular Plate, 7 Hole	85.7mm
7280-3008	3.5mm One-Third Tubular Plate, 8 Hole	97.7mm

3.5mm One-Third Tubular Compression Plate

D	Width	9.5mm
E	Profile thickness	1.5mm



Cat. No.	Description	Length
7282-4025S	3.5mm One-Third Tubular Compression Plate, 3 Hole	37.7mm
7282-4026S	3.5mm One-Third Tubular Compression Plate, 5 Hole	61.7mm
7282-4027S	3.5mm One-Third Tubular Compression Plate, 7 Hole	85.7mm

3.5mm Calcaneus Plate

E	Profile thickness	1.27mm
---	-------------------	--------



Cat. No.	Description	Length	Width
7282-4028S	3.5mm Calcaneus Plate, Small Left	58.8mm	32.6mm
7282-4029S	3.5mm Calcaneus Plate, Small Right	58.8mm	32.6mm
7282-4039S	3.5mm Calcaneus Plate, Medium Left	63.2mm	34.4mm
7282-4040S	3.5mm Calcaneus Plate, Medium Right	63.2mm	34.4mm
7282-4030S	3.5mm Calcaneus Plate, Large Left	67.7mm	36.2mm
7282-4031S	3.5mm Calcaneus Plate, Large Right	67.7mm	36.2mm
7282-4041S	3.5mm Calcaneus Plate, Extra-large Left	77.0mm	42.2mm
7282-4042S	3.5mm Calcaneus Plate, Extra-Large Right	77.0mm	42.2mm

3.5mm Multi-Fragment Plate

D	Width	16.0mm
E	Profile thickness	1.5mm



Cat. No.	Description	Length
7282-4038S	3.5mm Multi-Fragment Plate, 4 Hole	27.4mm
7282-4035S	3.5mm Multi-Fragment Plate, 6 Hole	41.4mm
7282-4036S	3.5mm Multi-Fragment Plate, 10 Hole	69.3mm
7282-4037S	3.5mm Multi-Fragment Plate, 14 Hole	97.2mm

3.5mm Plates

3.5mm Column Fusion Plate

D	Width	25.4mm
E	Profile thickness	1.5mm



Cat. No.	Description	Length
7282-4034S	3.5mm Column Fusion Plate	84.9mm

3.5mm Fusion Plate

D	Width	24.1mm
E	Profile thickness	1.5mm



Cat. No.	Description	Length
7282-4032S	3.5mm Fusion Plate	34.6mm

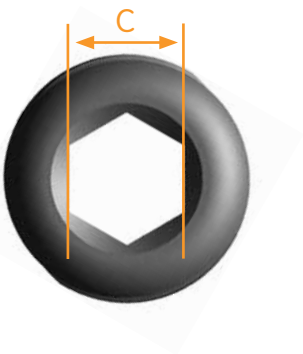
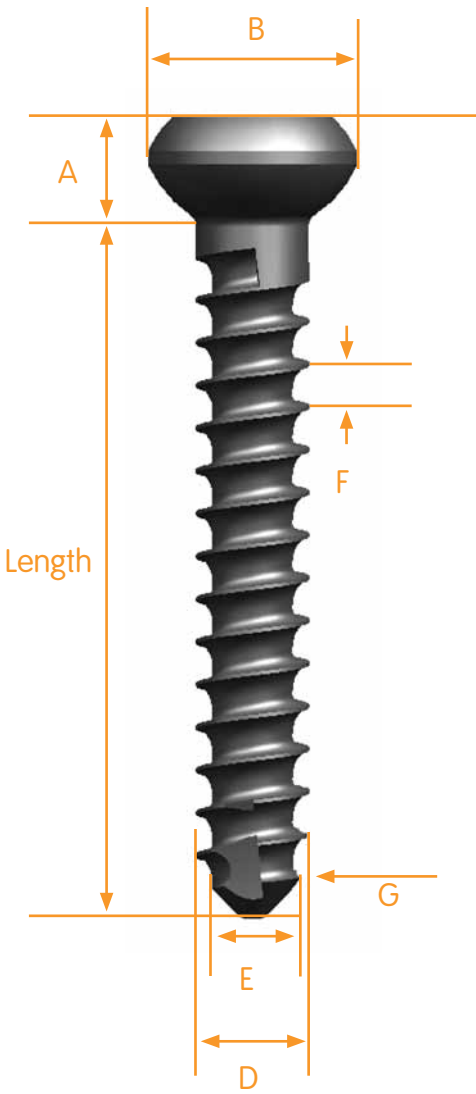
3.5mm Fusion Plate, Long

D	Width	25.4mm
E	Profile thickness	1.5mm



Cat. No.	Description	Length
7282-4033S	3.5mm Fusion Plate, Long	48.8mm

Screw dimensions



Legend

- A Head height
- B Head outer diameter
- C Hex size
- D Thread outer diameter
- E Core diameter
- F Thread pitch
- G Number of self-tapping flutes

2.7mm/4.0mm Screws

2.7mm Self-Tapping Cortex Screw

A	Head height	2.6mm
B	Head outer diameter	5.0mm
C	Hex size	2.5mm
D	Thread outer diameter	2.7mm
E	Core diameter	2.0mm
F	Thread pitch	1.0mm
G	Number of self-tapping flutes	3



Cat. No.	Description	Length
7182-3010	2.7mm Self-Tapping Cortex Screw	10mm
7182-3012	2.7mm Self-Tapping Cortex Screw	12mm
7182-3014	2.7mm Self-Tapping Cortex Screw	14mm
7182-3016	2.7mm Self-Tapping Cortex Screw	16mm
7182-3018	2.7mm Self-Tapping Cortex Screw	18mm
7182-3020	2.7mm Self-Tapping Cortex Screw	20mm
7182-3022	2.7mm Self-Tapping Cortex Screw	22mm
7182-3024	2.7mm Self-Tapping Cortex Screw	24mm
7182-3026	2.7mm Self-Tapping Cortex Screw	26mm
7182-3028	2.7mm Self-Tapping Cortex Screw	28mm
7182-3030	2.7mm Self-Tapping Cortex Screw	30mm
7182-3032	2.7mm Self-Tapping Cortex Screw	32mm
7182-3034	2.7mm Self-Tapping Cortex Screw	34mm
7182-3036	2.7mm Self-Tapping Cortex Screw	36mm
7182-3038	2.7mm Self-Tapping Cortex Screw	38mm
7182-3040	2.7mm Self-Tapping Cortex Screw	40mm
7180-3042*	2.7mm Self-Tapping Cortex Screw	42mm
7180-3044*	2.7mm Self-Tapping Cortex Screw	44mm
7180-3046*	2.7mm Self-Tapping Cortex Screw	46mm
7180-3048*	2.7mm Self-Tapping Cortex Screw	48mm
7180-3050*	2.7mm Self-Tapping Cortex Screw	50mm

2.7mm Self-Tapping Locking Cortex Screw

A	Head height	3.4mm
B	Head outer diameter	4.9mm
C	Hex size	2.5mm
D	Thread outer diameter	2.7mm
E	Core diameter	2.0mm
F	Thread pitch	1.0mm
G	Number of self-tapping flutes	3



Cat. No.	Description	Length
7282-3110	2.7mm Self-Tapping Locking Cortex Screw	10mm
7282-3112	2.7mm Self-Tapping Locking Cortex Screw	12mm
7282-3114	2.7mm Self-Tapping Locking Cortex Screw	14mm
7282-3116	2.7mm Self-Tapping Locking Cortex Screw	16mm
7282-3118	2.7mm Self-Tapping Locking Cortex Screw	18mm
7282-3120	2.7mm Self-Tapping Locking Cortex Screw	20mm
7282-3122	2.7mm Self-Tapping Locking Cortex Screw	22mm
7282-3124	2.7mm Self-Tapping Locking Cortex Screw	24mm
7282-3126	2.7mm Self-Tapping Locking Cortex Screw	26mm
7282-3128	2.7mm Self-Tapping Locking Cortex Screw	28mm
7282-3130	2.7mm Self-Tapping Locking Cortex Screw	30mm
7282-3132	2.7mm Self-Tapping Locking Cortex Screw	32mm
7282-3134	2.7mm Self-Tapping Locking Cortex Screw	34mm
7282-3136	2.7mm Self-Tapping Locking Cortex Screw	36mm
7282-3138	2.7mm Self-Tapping Locking Cortex Screw	38mm
7282-3140	2.7mm Self-Tapping Locking Cortex Screw	40mm

*Sterile

2.7mm/4.0mm Screws

2.7mm Self-Tapping Locking Cortex Screw (cont.)

A	Head height	3.4mm
B	Head outer diameter	4.9mm
C	Hex size	2.5mm
D	Thread outer diameter	2.7mm
E	Core diameter	2.0mm
F	Thread pitch	1.0mm
G	Number of self-tapping flutes	3



7282-3142S*	2.7mm Self-Tapping Locking Cortex Screw	42mm
7282-3144S*	2.7mm Self-Tapping Locking Cortex Screw	44mm
7282-3146S*	2.7mm Self-Tapping Locking Cortex Screw	46mm
7282-3148S*	2.7mm Self-Tapping Locking Cortex Screw	48mm
7282-3150S*	2.7mm Self-Tapping Locking Cortex Screw	50mm

4.0mm Fully Threaded Osteopenia Screw

A	Head height	2.5mm
B	Head outer diameter	5.0mm
C	Hex size	2.5mm
D	Thread outer diameter	4.0mm
E	Core diameter	2.0mm
F	Thread pitch	1.75mm



Cat. No.	Description	Length
7282-3210	4.0mm Fully Threaded Osteopenia Screw	10mm
7282-3212	4.0mm Fully Threaded Osteopenia Screw	12mm
7282-3214	4.0mm Fully Threaded Osteopenia Screw	14mm
7282-3216	4.0mm Fully Threaded Osteopenia Screw	16mm
7282-3218	4.0mm Fully Threaded Osteopenia Screw	18mm
7282-3220	4.0mm Fully Threaded Osteopenia Screw	20mm
7282-3222	4.0mm Fully Threaded Osteopenia Screw	22mm
7282-3224	4.0mm Fully Threaded Osteopenia Screw	24mm
7282-3226	4.0mm Fully Threaded Osteopenia Screw	26mm
7282-3228	4.0mm Fully Threaded Osteopenia Screw	28mm
7282-3230	4.0mm Fully Threaded Osteopenia Screw	30mm
7282-3232	4.0mm Fully Threaded Osteopenia Screw	32mm
7282-3234	4.0mm Fully Threaded Osteopenia Screw	34mm
7282-3236	4.0mm Fully Threaded Osteopenia Screw	36mm
7282-3238	4.0mm Fully Threaded Osteopenia Screw	38mm
7282-3240	4.0mm Fully Threaded Osteopenia Screw	40mm
7282-3242S*	4.0mm Fully Threaded Osteopenia Screw	42mm
7282-3244S*	4.0mm Fully Threaded Osteopenia Screw	44mm
7282-3246S*	4.0mm Fully Threaded Osteopenia Screw	46mm
7282-3248S*	4.0mm Fully Threaded Osteopenia Screw	48mm
7282-3250S*	4.0mm Fully Threaded Osteopenia Screw	50mm

*Sterile

2.7mm/4.0mm Screws

4.0mm Locking Osteopenia Screw

A	Head height	3.4mm
B	Head outer diameter	4.9mm
C	Hex size	2.5mm
D	Thread outer diameter	4.0mm
E	Core diameter	2.0mm
F	Thread pitch	1.75mm



Cat. No.	Description	Length
7282-3410	4.0mm Locking Osteopenia Screw	10mm
7282-3412	4.0mm Locking Osteopenia Screw	12mm
7282-3414	4.0mm Locking Osteopenia Screw	14mm
7282-3416	4.0mm Locking Osteopenia Screw	16mm
7282-3418	4.0mm Locking Osteopenia Screw	18mm
7282-3420	4.0mm Locking Osteopenia Screw	20mm
7282-3422	4.0mm Locking Osteopenia Screw	22mm
7282-3424	4.0mm Locking Osteopenia Screw	24mm
7282-3426	4.0mm Locking Osteopenia Screw	26mm
7282-3428	4.0mm Locking Osteopenia Screw	28mm
7282-3430	4.0mm Locking Osteopenia Screw	30mm
7282-3432	4.0mm Locking Osteopenia Screw	32mm
7282-3434	4.0mm Locking Osteopenia Screw	34mm
7282-3436	4.0mm Locking Osteopenia Screw	36mm
7282-3438	4.0mm Locking Osteopenia Screw	38mm
7282-3440	4.0mm Locking Osteopenia Screw	40mm
7282-3442S*	4.0mm Locking Osteopenia Screw	42mm
7282-3444S*	4.0mm Locking Osteopenia Screw	44mm
7282-3446S*	4.0mm Locking Osteopenia Screw	46mm
7282-3448S*	4.0mm Locking Osteopenia Screw	48mm
7282-3450S*	4.0mm Locking Osteopenia Screw	50mm

4.0mm Partially Threaded Osteopenia Screw

A	Head height	2.5mm
B	Head outer diameter	5.0mm
C	Hex size	2.5mm
D	Thread outer diameter	4.0mm
E	Core diameter	2.0mm
F	Thread pitch	1.75mm



Cat. No.	Description	Length	Threaded length
7282-3326S	4.0mm Partially Threaded Osteopenia Screw	26mm	12mm
7282-3328S	4.0mm Partially Threaded Osteopenia Screw	28mm	14mm
7282-3330S	4.0mm Partially Threaded Osteopenia Screw	30mm	14mm
7282-3332S	4.0mm Partially Threaded Osteopenia Screw	32mm	14mm
7282-3334S	4.0mm Partially Threaded Osteopenia Screw	34mm	14mm
7282-3336S	4.0mm Partially Threaded Osteopenia Screw	36mm	14mm
7282-3338S	4.0mm Partially Threaded Osteopenia Screw	38mm	14mm
7282-3340S	4.0mm Partially Threaded Osteopenia Screw	40mm	14mm

*Sterile

3.5mm/5.0mm Screws

3.5mm Self-Tapping Cortex Screw

A	Head height	2.5mm
B	Head outer diameter	5.9mm
C	Hex size	2.5mm
D	Thread outer diameter	3.5mm
E	Core diameter	2.7mm
F	Thread pitch	1.25mm
G	Number of self-tapping flutes	3



Cat. No.	Description	Length
7182-1310	3.5mm Self-Tapping Cortex Screw	10mm
7182-1312	3.5mm Self-Tapping Cortex Screw	12mm
7182-1314	3.5mm Self-Tapping Cortex Screw	14mm
7182-1316	3.5mm Self-Tapping Cortex Screw	16mm
7182-1318	3.5mm Self-Tapping Cortex Screw	18mm
7182-1320	3.5mm Self-Tapping Cortex Screw	20mm
7182-1322	3.5mm Self-Tapping Cortex Screw	22mm
7182-1324	3.5mm Self-Tapping Cortex Screw	24mm
7182-1326	3.5mm Self-Tapping Cortex Screw	26mm
7182-1328	3.5mm Self-Tapping Cortex Screw	28mm
7182-1330	3.5mm Self-Tapping Cortex Screw	30mm
7182-1332	3.5mm Self-Tapping Cortex Screw	32mm
7182-1334	3.5mm Self-Tapping Cortex Screw	34mm
7182-1336	3.5mm Self-Tapping Cortex Screw	36mm
7182-1338	3.5mm Self-Tapping Cortex Screw	38mm
7182-1340	3.5mm Self-Tapping Cortex Screw	40mm
7182-1342	3.5mm Self-Tapping Cortex Screw	42mm
7182-1344	3.5mm Self-Tapping Cortex Screw	44mm
7182-1346	3.5mm Self-Tapping Cortex Screw	46mm
7182-1348	3.5mm Self-Tapping Cortex Screw	48mm
7182-1350	3.5mm Self-Tapping Cortex Screw	50mm
7182-1355	3.5mm Self-Tapping Cortex Screw	55mm
7182-1360	3.5mm Self-Tapping Cortex Screw	60mm

3.5mm/5.0mm Screws

3.5mm Self-Tapping Locking Cortex Screw

A	Head height	3.3mm
B	Head outer diameter	5.4mm
C	Hex size	2.5mm
D	Thread outer diameter	3.5mm
E	Core diameter	2.7mm
F	Thread pitch	1.25mm
G	Number of self-tapping flutes	3



Cat. No.	Description	Length
7182-1210	3.5mm Self-Tapping Locking Cortex Screw	10mm
7182-1212	3.5mm Self-Tapping Locking Cortex Screw	12mm
7182-1214	3.5mm Self-Tapping Locking Cortex Screw	14mm
7182-1216	3.5mm Self-Tapping Locking Cortex Screw	16mm
7182-1218	3.5mm Self-Tapping Locking Cortex Screw	18mm
7182-1220	3.5mm Self-Tapping Locking Cortex Screw	20mm
7182-1222	3.5mm Self-Tapping Locking Cortex Screw	22mm
7182-1224	3.5mm Self-Tapping Locking Cortex Screw	24mm
7182-1226	3.5mm Self-Tapping Locking Cortex Screw	26mm
7182-1228	3.5mm Self-Tapping Locking Cortex Screw	28mm
7182-1230	3.5mm Self-Tapping Locking Cortex Screw	30mm
7182-1232	3.5mm Self-Tapping Locking Cortex Screw	32mm
7182-1234	3.5mm Self-Tapping Locking Cortex Screw	34mm
7182-1236	3.5mm Self-Tapping Locking Cortex Screw	36mm
7182-1238	3.5mm Self-Tapping Locking Cortex Screw	38mm
7182-1240	3.5mm Self-Tapping Locking Cortex Screw	40mm
7182-1242	3.5mm Self-Tapping Locking Cortex Screw	42mm
7182-1244	3.5mm Self-Tapping Locking Cortex Screw	44mm
7182-1246	3.5mm Self-Tapping Locking Cortex Screw	46mm
7182-1248	3.5mm Self-Tapping Locking Cortex Screw	48mm
7182-1250	3.5mm Self-Tapping Locking Cortex Screw	50mm
7182-1255	3.5mm Self-Tapping Locking Cortex Screw	55mm
7182-1260	3.5mm Self-Tapping Locking Cortex Screw	60mm

3.5mm/5.0mm Screws

5.0mm Fully Threaded Osteopenia Screw

A	Head height	2.5mm
B	Head outer diameter	5.9mm
C	Hex size	2.5mm
D	Thread outer diameter	5.0mm
E	Core diameter	2.7mm
F	Thread pitch	1.75mm



Cat. No.	Description	Length
7182-2010	5.0mm Fully Threaded Osteopenia Screw	10mm
7182-2012	5.0mm Fully Threaded Osteopenia Screw	12mm
7182-2014	5.0mm Fully Threaded Osteopenia Screw	14mm
7182-2016	5.0mm Fully Threaded Osteopenia Screw	16mm
7182-2018	5.0mm Fully Threaded Osteopenia Screw	18mm
7182-2020	5.0mm Fully Threaded Osteopenia Screw	20mm
7182-2022	5.0mm Fully Threaded Osteopenia Screw	22mm
7182-2024	5.0mm Fully Threaded Osteopenia Screw	24mm
7182-2026	5.0mm Fully Threaded Osteopenia Screw	26mm
7182-2028	5.0mm Fully Threaded Osteopenia Screw	28mm
7182-2030	5.0mm Fully Threaded Osteopenia Screw	30mm
7182-2032	5.0mm Fully Threaded Osteopenia Screw	32mm
7182-2034	5.0mm Fully Threaded Osteopenia Screw	34mm
7182-2036	5.0mm Fully Threaded Osteopenia Screw	36mm
7182-2038	5.0mm Fully Threaded Osteopenia Screw	38mm
7182-2040	5.0mm Fully Threaded Osteopenia Screw	40mm
7182-2042	5.0mm Fully Threaded Osteopenia Screw	42mm
7182-2044	5.0mm Fully Threaded Osteopenia Screw	44mm
7182-2046	5.0mm Fully Threaded Osteopenia Screw	46mm
7182-2048	5.0mm Fully Threaded Osteopenia Screw	48mm
7182-2050	5.0mm Fully Threaded Osteopenia Screw	50mm
7182-2055	5.0mm Fully Threaded Osteopenia Screw	55mm
7182-2060	5.0mm Fully Threaded Osteopenia Screw	60mm

3.5mm/5.0mm Screws

5.0mm Locking Osteopenia Screw

A	Head height	3.3mm
B	Head outer diameter	5.4mm
C	Hex size	2.5mm
D	Thread outer diameter	5.0mm
E	Core diameter	2.7mm
F	Thread pitch	1.75mm



Cat. No.	Description	Length
7282-3510	5.0mm Locking Osteopenia Screw	10mm
7282-3512	5.0mm Locking Osteopenia Screw	12mm
7282-3514	5.0mm Locking Osteopenia Screw	14mm
7282-3516	5.0mm Locking Osteopenia Screw	16mm
7282-3518	5.0mm Locking Osteopenia Screw	18mm
7282-3520	5.0mm Locking Osteopenia Screw	20mm
7282-3522	5.0mm Locking Osteopenia Screw	22mm
7282-3524	5.0mm Locking Osteopenia Screw	24mm
7282-3526	5.0mm Locking Osteopenia Screw	26mm
7282-3528	5.0mm Locking Osteopenia Screw	28mm
7282-3530	5.0mm Locking Osteopenia Screw	30mm
7282-3532	5.0mm Locking Osteopenia Screw	32mm
7282-3534	5.0mm Locking Osteopenia Screw	34mm
7282-3536	5.0mm Locking Osteopenia Screw	36mm
7282-3538	5.0mm Locking Osteopenia Screw	38mm
7282-3540	5.0mm Locking Osteopenia Screw	40mm
7282-3542	5.0mm Locking Osteopenia Screw	42mm
7282-3544	5.0mm Locking Osteopenia Screw	44mm
7282-3546	5.0mm Locking Osteopenia Screw	46mm
7282-3548	5.0mm Locking Osteopenia Screw	48mm
7282-3550	5.0mm Locking Osteopenia Screw	50mm
7282-3555	5.0mm Locking Osteopenia Screw	55mm
7282-3560	5.0mm Locking Osteopenia Screw	60mm

3.5mm/5.0mm Screws

5.0mm Partially Threaded Osteopenia Screw

A	Head height	2.5mm
B	Head outer diameter	5.9mm
C	Hex size	2.5mm
D	Thread outer diameter	5.0mm
E	Core diameter	2.7mm
F	Thread pitch	1.75mm



Cat. No.	Description	Length	Threaded Length
7180-1126*	5.0mm Partially Threaded Osteopenia Screw	26mm	12.0mm
7180-1128*	5.0mm Partially Threaded Osteopenia Screw	28mm	14.0mm
7180-1130*	5.0mm Partially Threaded Osteopenia Screw	30mm	14.0mm
7180-1132*	5.0mm Partially Threaded Osteopenia Screw	32mm	14.0mm
7180-1134*	5.0mm Partially Threaded Osteopenia Screw	34mm	14.0mm
7180-1136*	5.0mm Partially Threaded Osteopenia Screw	36mm	14.0mm
7180-1138*	5.0mm Partially Threaded Osteopenia Screw	38mm	14.0mm
7180-1140*	5.0mm Partially Threaded Osteopenia Screw	40mm	14.0mm
7180-1142*	5.0mm Partially Threaded Osteopenia Screw	42mm	14.0mm
7180-1144*	5.0mm Partially Threaded Osteopenia Screw	44mm	14.0mm
7180-1146*	5.0mm Partially Threaded Osteopenia Screw	46mm	16.3mm
7180-1148*	5.0mm Partially Threaded Osteopenia Screw	48mm	16.3mm
7180-1150*	5.0mm Partially Threaded Osteopenia Screw	50mm	16.3mm
7180-1155*	5.0mm Partially Threaded Osteopenia Screw	55mm	16.3mm
7180-1160*	5.0mm Partially Threaded Osteopenia Screw	60mm	16.3mm
7180-1165*	5.0mm Partially Threaded Osteopenia Screw	65mm	16.3mm
7180-1170*	5.0mm Partially Threaded Osteopenia Screw	70mm	16.3mm
7180-1175*	5.0mm Partially Threaded Osteopenia Screw	75mm	16.3mm
7180-1180*	5.0mm Partially Threaded Osteopenia Screw	80mm	16.3mm

*Sterile

Base instruments

Cat. No.	Description
7117-3845	Base Instrument Tray
7117-3856	Base Instrument Tray Lid
7117-3801	2.0mm Drill, 130mm
7117-3802	2.0mm Drill, 191mm
7117-3803	2.7mm Drill, 130mm
7117-3804	2.7mm Drill, 191mm
7117-3805	3.5mm Drill, 130mm
7117-3806	3.5mm Drill, 191mm
7117-3807	2.0mm PF Pin 14mm
7117-3808	2.0mm PF Pin 25mm
7117-1228	2.7mm PF Pin 14mm
7117-1229	2.7mm PF Pin 25mm
7117-1231	2.7mm/3.5mm Depth Gauge
7117-3809	2.0/2.7mm Drill Guide
7117-3810	2.7/3.5mm Drill Guide
7117-3811	2.0mm Angled Drill Guide
7117-0033	2.5mm Hexdriver with AO
7117-3812	2.7mm Angled Drill Guide
7117-1238	1.7Nm Torque Limiting Handle
7117-0031	2.7mm/3.5mm Holding Sleeve/ Screw Capture
7117-3344	2.7mm/3.5mm Countersink
7117-3366	2.7mm Tap
7117-0029	2.5mm Hexdriver with Handle
7117-3528	AO-Trinkle
7117-1237	2.5mm Hex Screw Extractor
7117-3318	3.5mm Tap

Ancillary instruments

Cat. No.	Description
7117-3846	Ancillary Instrument Tray
7117-3857	Ancillary Instrument Tray Lid
7117-1530	Freer Elevator
7117-0043	Sharp Hook
7117-3369	Bent Hohmann
7117-0057	Straight 8mm Hohmann
7117-3814	Wire Bending/Cutting Pliers
7117-3815	Plate Bending Irons
7117-3816	Plate Bending Handle
7117-3377	Reduction Forceps, broad
7117-0044	Reduction Forceps, 205mm
7117-3817	Redler Pin Clamp
7117-0015	Small Quick-Coupling Handle
7117-3818	Compression Forceps with Screw Holders
7117-3863	Compression Forceps with Sharp Point
7117-3819	McGlamry Elevator
7117-3864	2.7/3.5mm Plate Bending Rod

Implant trays and miscellaneous

Cat. No.	Description
7117-3848	VLP® 2.7mm/3.5mm Instrument Tray
7117-3849	VLP FOOT Implant Tray
7117-3859	VLP 2.7mm/3.5mm Instrument Tray Lid
7117-3860	VLP FOOT Implant Tray Lid
7117-3841	2.7mm/4.0mm Implant Tray
7117-3852	2.7mm/4.0mm Implant Tray Lid
7282-4052	VLP FOOT 2.7mm Lower Plate Tray
7282-4053	VLP FOOT 2.7mm Upper Plate Tray
7117-3843	3.5mm/5.0mm Implant Tray
7117-3854	3.5mm/5.0mm Implant Tray Lid
7282-4102	VLP FOOT 3.5mm Lower Plate Tray
7282-4103	VLP FOOT 3.5mm Upper Plate Tray
7114-3107	7.0mm O.D. Washer
7117-0002	Screw Forceps

Drill Wire Module

Cat. No.	Description
7110-1531	DRILL WIRE MODULE Tray
7110-1532	DRILL WIRE MODULE Lid
7110-1533	Wire Cap Tray
7110-1534	Wire Cap Lid
7110-1401	1.1mm Wire Cap
7110-1402	1.25mm Wire Cap
7110-1403	1.6mm Wire Cap
7110-1404	2.0mm Wire Cap
7110-1413	1.1mm Drill Tip Wire 150mm
7110-1414	1.1mm Trocar Tip Wire 2X Ended 150mm
7110-1506	1.25mm Drill Tip Threaded Wire 150mm
7110-1503	1.25mm Drill Tip Wire 150mm
7110-1509	1.25mm Trocar Tip Wire 2X Ended 150mm
7110-1505	1.6mm Drill Tip Threaded Wire 150mm
7110-1502	1.6mm Drill Tip Wire 150mm
7110-1508	1.6mm Trocar Tip Wire 2X Ended 150mm
7110-1504	2.0mm Drill Tip Threaded Wire 150mm
7110-1501	2.0mm Drill Tip Wire 150mm
7110-1507	2.0mm Trocar Tip Wire 2X Ended 150mm

Percutaneous Calcaneus Instruments

Cat. No.	Description
281961	Langenbeck Periosteal Elevator, Sharp
7106-5401	5mm x 40mm Short Half Pin
7117-4030	VLP Calcaneus Plate Handle
7117-4049	VLP 2.7mm Percutaneous Calcaneus Plate, Small, Template
7117-4037	VLP 2.7mm Percutaneous Calcaneus Plate, Medium, Template
7117-4050	VLP 2.7mm Percutaneous Calcaneus Plate, Large, Template
7117-4053	VLP 2.7mm Percutaneous Calcaneus Plate, Extra-Large, Template
7117-4033	VLP Percutaneous Calcaneus, Tray
7117-4034	VLP Percutaneous Calcaneus, Tray Lid
7117-4044	VLP Percutaneous Calcaneus Implant Box

Smith & Nephew, Inc.
7135 Goodlett Farms Parkway
Cordova, TN 38016
USA

www.smith-nephew.com

Telephone: 1-901-396-2121
Information: 1-800-821-5700
Orders/Inquiries: 1-800-238-7538

©2012 Smith & Nephew, Inc.
All rights reserved.
7118-1528 REVA 04/12

°Trademark of Smith & Nephew. Reg. US Pat. & TM Off.